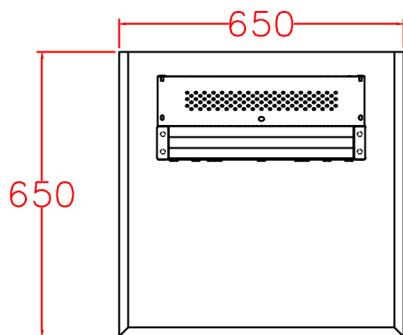
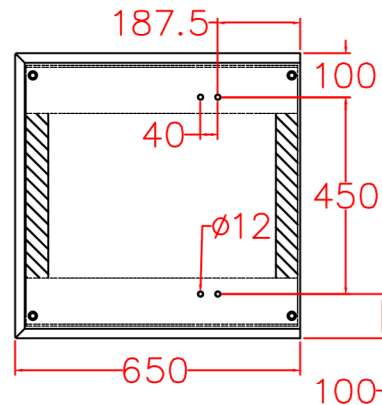


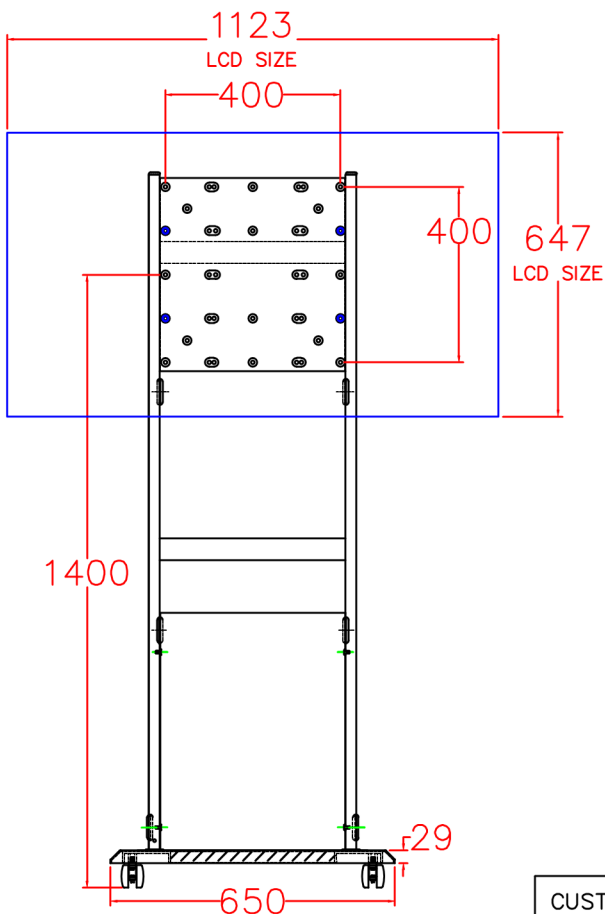
TOP VIEW



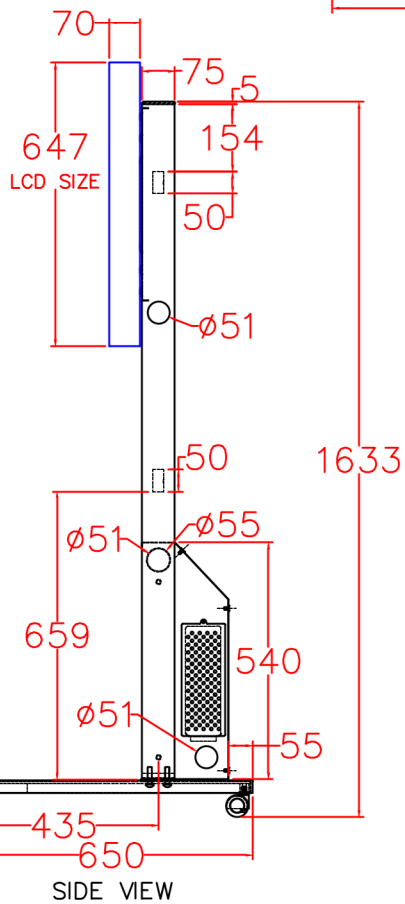
TOP VIEW



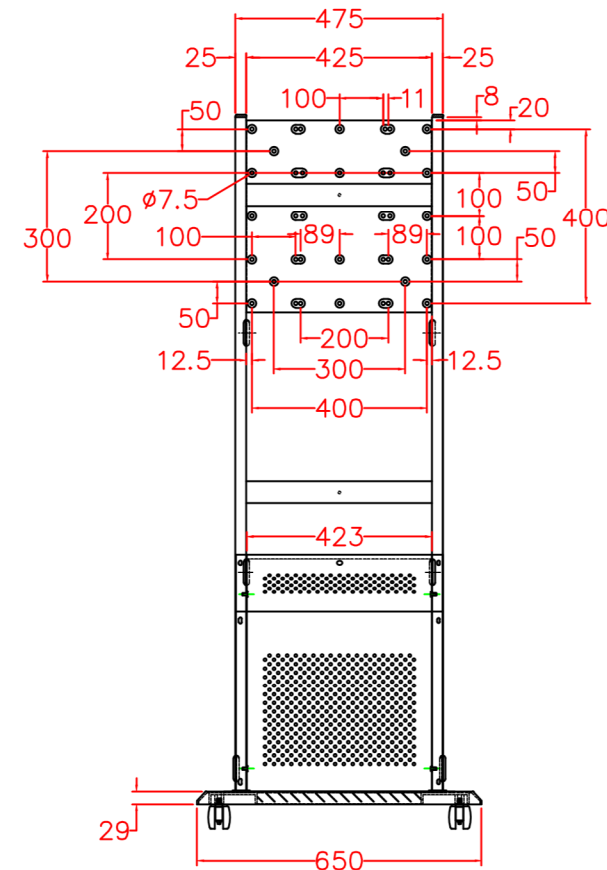
LCD SIZE



FRONT VIEW



SIDE VIEW



BACK VIEW

| | | | | | |
|----------|------------------------|----------|-------|-------------|--------------|
| CUSTOMER | COMPUTERPORT INK | MATERIAL | METAL | CHECK BY | ALFREAD |
| MODEL | LCDS - 03 MAL | | | APPROVED BY | |
| PARTS | PN-M/N501 (HORIZONTAL) | DRAWN BY | ERIC | DATE | 11-JUNE-2019 |