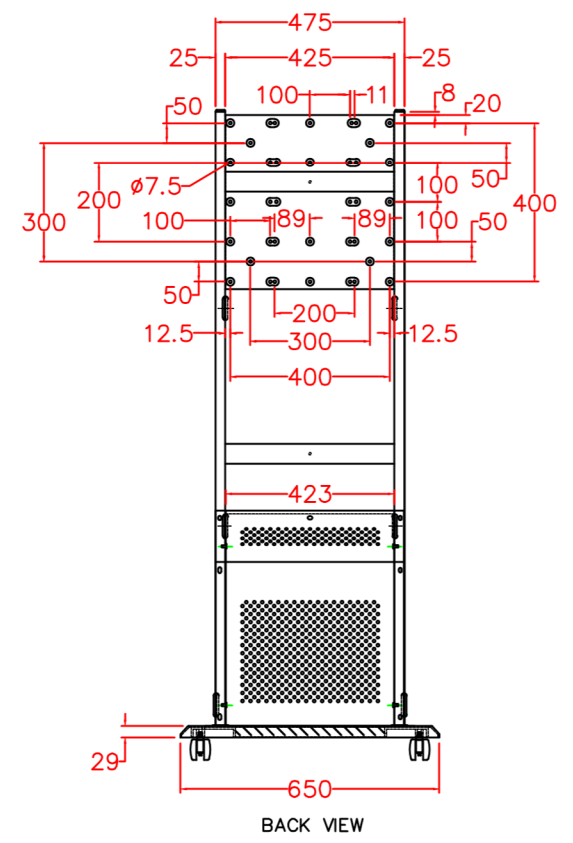
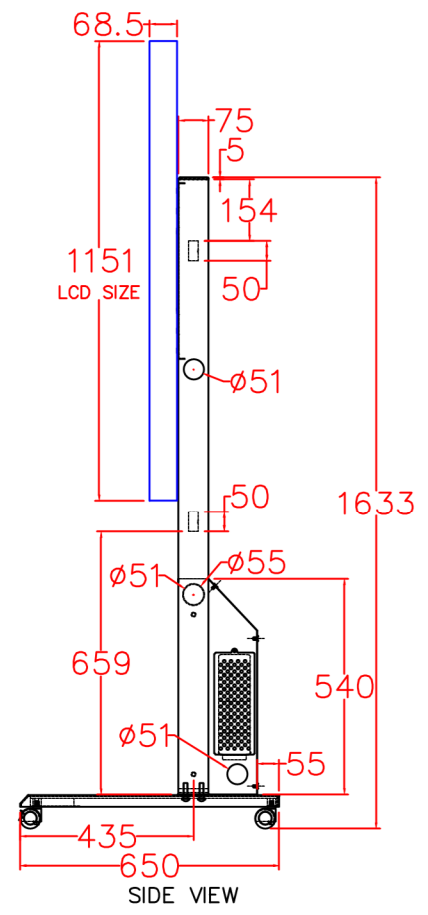
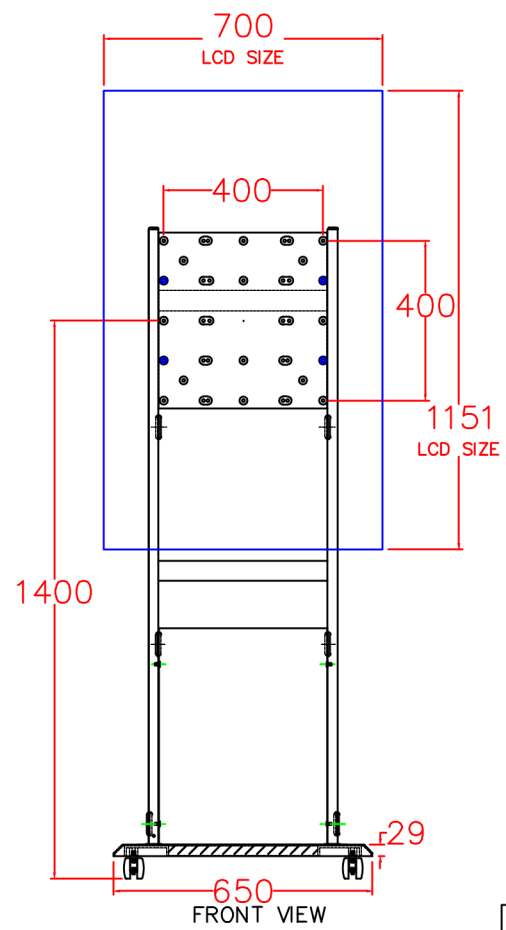
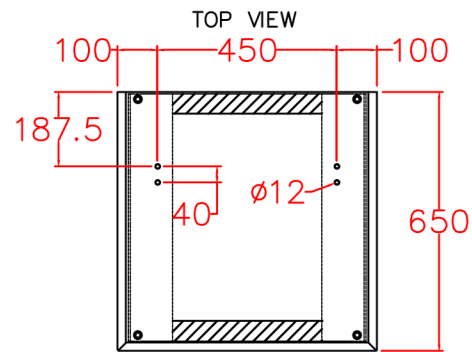
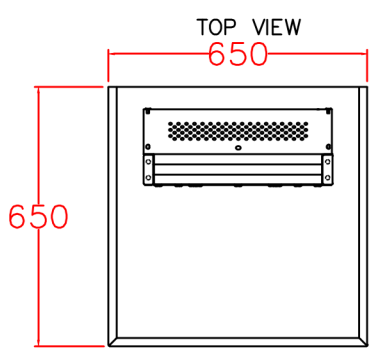


LCDS - 03 MAL

PN-L501C



CUSTOMER	COMPUTERPORT INK	MATERIAL	METAL	CHECK BY	ALFREAD
MODEL	LCDS - 03 MAL			APPROVED BY	
SCALE	PARTS	PN-L501C (VERTICAL)	DRAWN BY	ERIC	DATE
					11-JUNE-2019

COMPUTER PORT